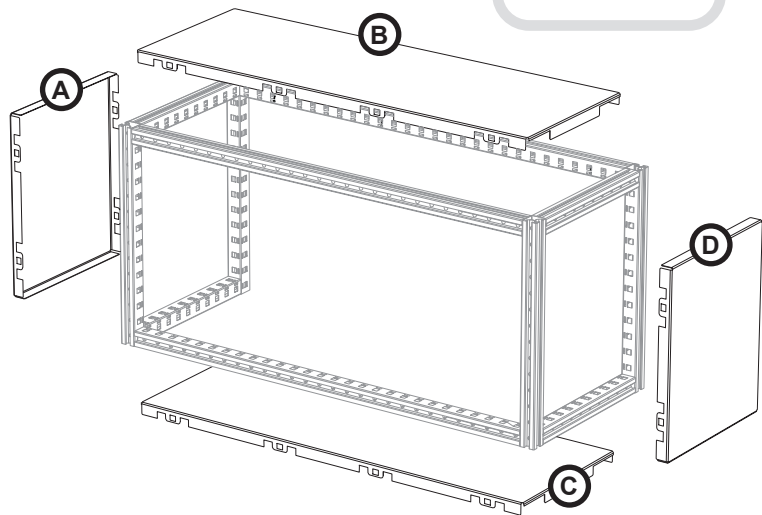


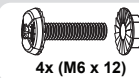
1



A = 4x C = 4x  
B = 8x D = 4x



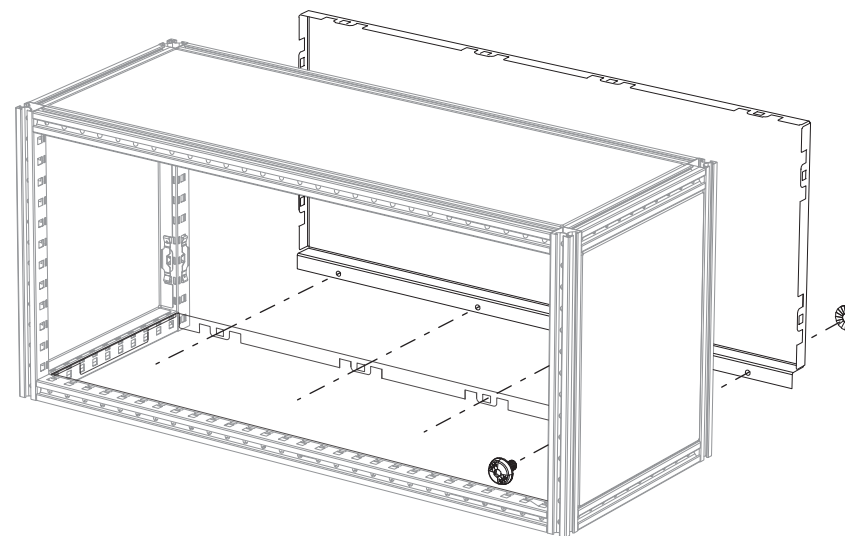
2



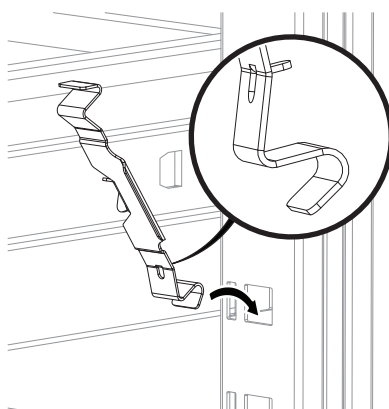
4x (M6 x 12)



8x



1



2

